

Jan 2004

Improper installation of built-in cooking products may result in Electrocution or Fire

TO: All Contract & Retail ASM's, Region Managers, Area Managers, Telesales, AMS's, ATM's SDS Managers.

Subject: Electric built-in cooktops, drop-in ranges, electric built-in wall ovens*

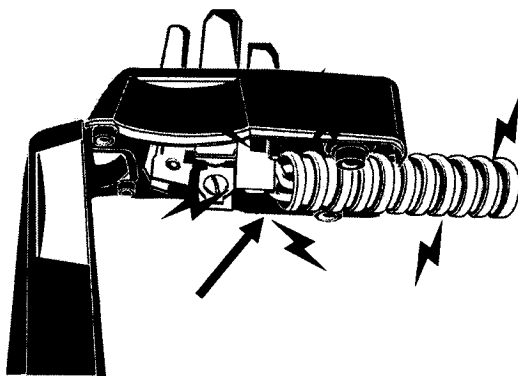
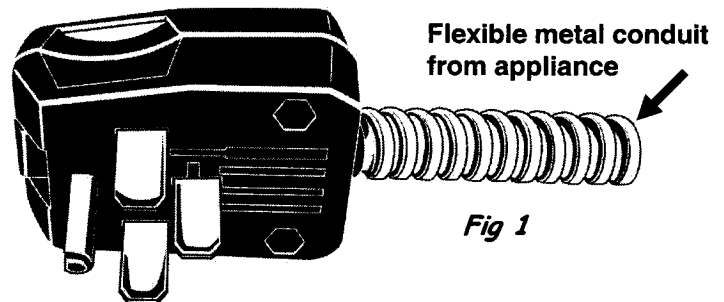
#1 - Installation of GE electric wall ovens, cooktops and drop-in ranges with a "PLUG or RECEPTACLE" at the end of a flexible metal conduit is NOT permitted on these products.

The reason is two fold:

A) The product design does not allow the use of a one piece molded power cord and plug (like a range pigtail).

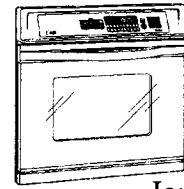
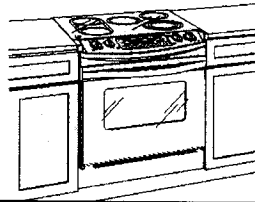
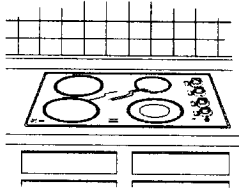
B) There is no plug that clamps on the the end of the flexible metal conduit that is UL approved. (fig 1) Even if the plug & receptacle are marked with the UL symbol it may not be used with our built-in cooking products described above. This type of plug is not designed to be secured to a metal conduit. The conduit may move and contact "HOT" terminals or exposed wire connectors resulting in possible fire or electrocution. (fig 2)

Plug is not designed for use on flexible metal conduit nor is it UL approved for use on conduit



Plug is designed to use on rubber cable NOT on flexible metal conduit. Conduit can slip inside plug head and come into contact with "HOT" terminals or exposed connectors.

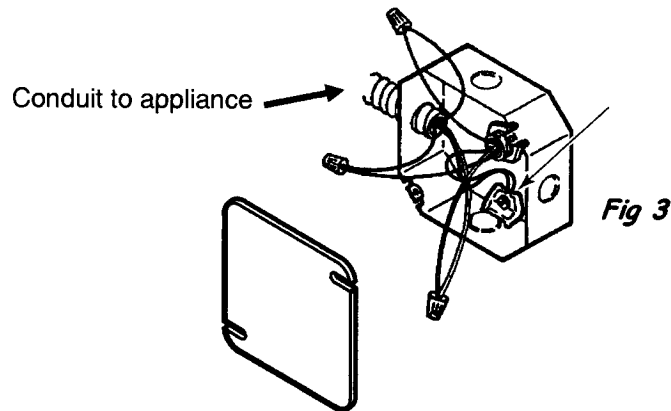
Fig 2



Jan 2004

Improper installation of built-in cooking products may result in Electrocution or Fire

#2- All GE electric wall ovens* cooktops, & drop-in ranges MUST be hardwired (direct wired) in an approved junction box. (fig 3)



#3- This is a requirement of GE installation instructions because a one piece molded power cord and plug (like a range pigtail) can not be used.

#4- Hard wired is the ONLY U.L. approved electrical hook-up for these GE built-in products.

Action required:

If you know of any builders, customers, installers, SDS locations installing GE electric wall ovens*, electric cooktops or drop-in ranges with a plug & receptacle warn them of the danger of this type of installation. You should notify them that this installation is not approved by GE or U.L.

Questions:

If you have any questions please contact:

***Mr. Norm Chiu - program manager - cooking products safety
General Electric, AP2-2c-77, Louisville, KY 40225 (502) 452-0759***

**** Excluding Advantium built-in wall ovens***

***Sam D. Scott
Manager Training - Cooking Products***

cc: All National Account Managers
Mike Jones
Jim Long,
Lisanne Mikan
Harvey Watson

Mike McDermott
Johanna Campbell Forum 4
Joe Blocker
John Boyd
Bob Deland

Sally Johnson GEAC
Ken Tripp
Lise Cormier
Todd Smith
Bill Swigart