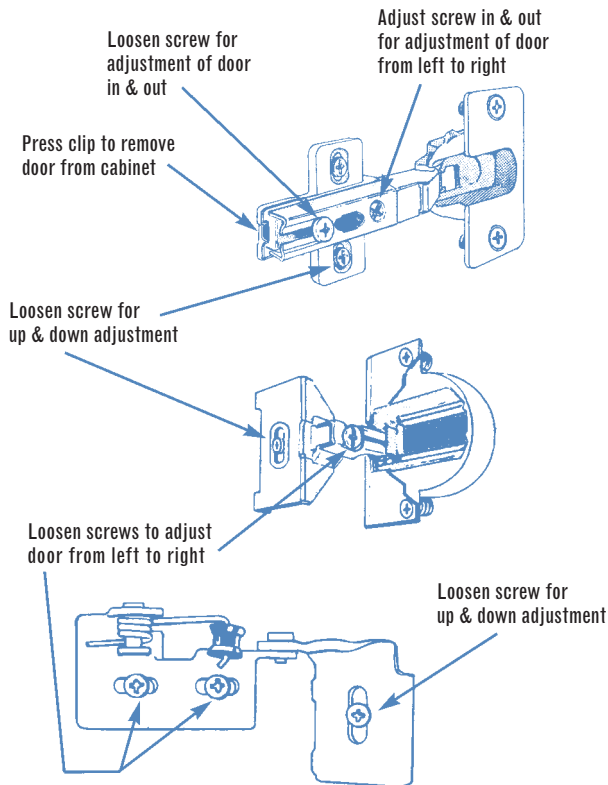


# Troubleshooting Guide

CONDITION	POSSIBLE CAUSE	REMEDY
Double doors on cabinet do not line up	1. Cabinet not set level and square (racked).	1. Loosen screws and use shims to make cabinet plumb. 2. Loosen hinge screws and readjust
Door not flush to cabinet face frame at either top or bottom	1. Hinge out of adjustment or cabinet racked. 2. Door warped due to extreme dryness or humidity.	1. Make sure cabinet is plumb and level. Then, reset hinge. 2. Relative humidity level should be at least 35 percent. Install proper control in home. If the door has already warped, leave door partially open and it should adjust itself.
Drawer face does not fit flush with cabinet	1. Drawer glide out of alignment.	1. Pull out drawer. Push drawer glides toward center. 2. Close drawer. Drawer should automatically reset.
Scratches, nicks and dents	1. Mishandling.	1. Touch-Up Kit (available from your retailer).

## Hinge Adjustment

30



- Loosen screw for adjustments of door, in and out.
- Press clip to remove door from cabinet.
- Loosen screw for up and down adjustment.
- Loosen screws to adjust door from left to right.
- Adjust screw in and out for adjustment of door from left to right.
- Loosen screw for up and down adjustment.

## Care and cleaning

The fine furniture finish of your cabinetry is designed to withstand daily use. All wood surfaces may be cleaned with a damp, soft cloth moistened with soapsuds (not detergent), then wiped dry with another soft cloth.

Once or twice a year, after cleaning cabinetry as above, apply a light coat of furniture polish. Take a little extra care on the bottom edges of base cabinets and base cabinet doors where invisible moisture often collects.

**NOTE:** Do not use detergents, soap pads, steel wool or other harsh abrasive materials on your cabinetry.