



Clad French Sliding Door

INSTALLATION INSTRUCTIONS

TP470R1-0602

Failure to install as recommended will void any warranty, express or implied.

⚠ WARNING!

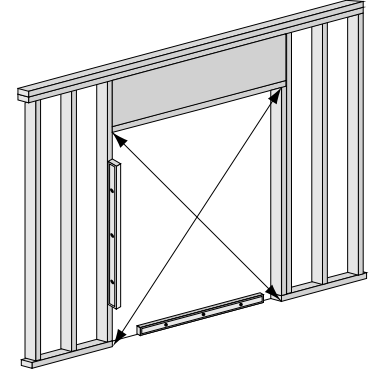
Pella Window and Door screens are intended only to exclude insects. They are not designed to restrain children.

Prepare the Rough Opening

- The floor and the header must be level in both directions.
- Level the sill using continuous wood blocking between the sill and the subfloor.
Do not use shims.

IMPORTANT: If the sill is not level and straight, inside and outside, the door and/or screen will not operate properly.

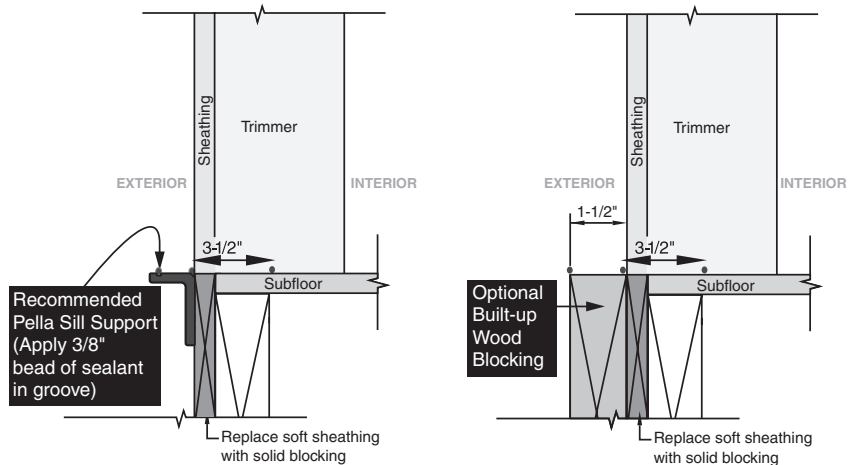
- The jambs **must** be straight, plumb and square with the sill.
- The rough opening height **must equal** door frame height plus 1/2".
- The rough opening width **must equal** door frame height plus 3/4".



NOTE: Installation nails will not hold the door frame in place if Styrofoam® or other "soft" sheathings are used on the exterior. Replace "soft" sheathings with solid material around the opening.

Install Blocking

1. Install wood blocking or optional Pella aluminum sill support on the exterior of the box plate to support the edge of the door sill.
2. Locate the blocking (or sill support) flush with the subfloor.



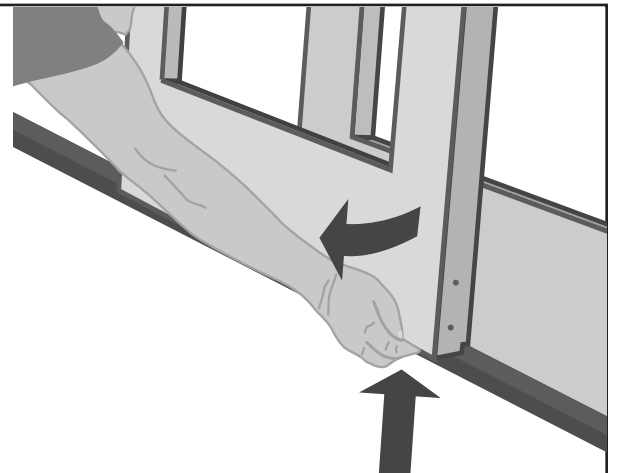
Preparing Door for Installation

CAUTION: Panel will require at least two persons to handle it safely.

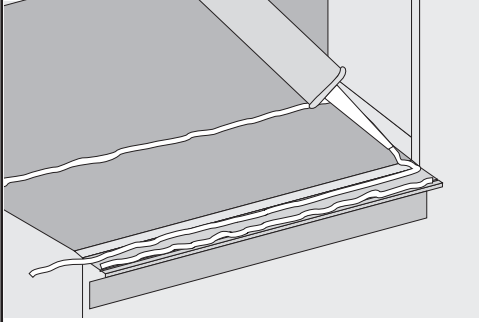
3. Unpack door by removing banding, plastic wrap, cardboard and U-channel packaging from door sill bottom.

Remove the vent panel.

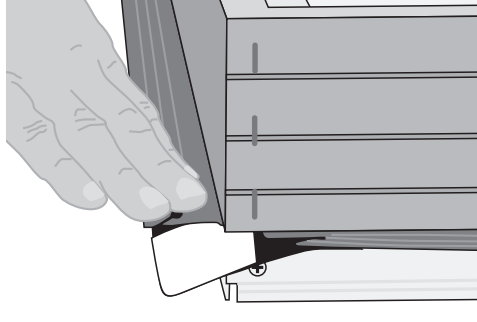
4. Carefully slide the vent panel halfway open and remove all gray shipping spacers.
5. Lift the vent panel off its track.
6. Tilt the bottom away from the door frame.
7. Lower the top of the panel from the head track.
8. **Lift out slowly**, and set the panel aside.



Install Door



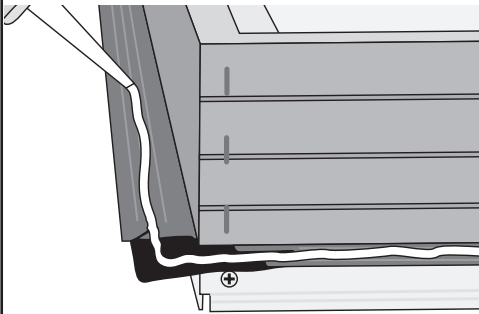
9. Apply a 3/8" bead of sealant (caulking) at the point where the sill support or blocking attaches to the building. Apply a second bead 3-1/2" in from the first bead. Connect the two beads with a bead that is located 3/8" from the studs. Also apply a 3/8" bead of sealant in the groove of the sill support or 1/4" from the edge of the wood blocking at the sill. See the blocking detail on page 1 for details.



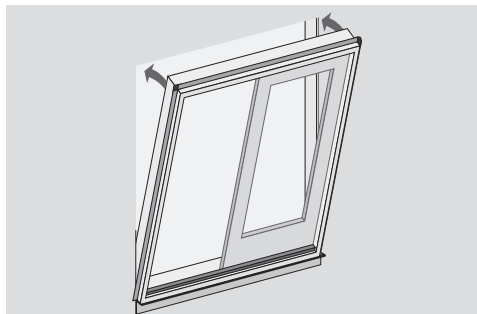
10. Fold aluminum installation fins out to at least 90° angle. Do not under-bend.



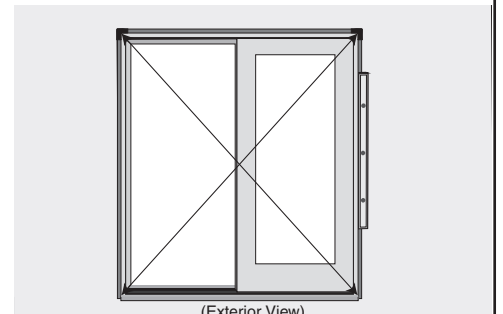
11. Remove release liner from back side of fin corner.



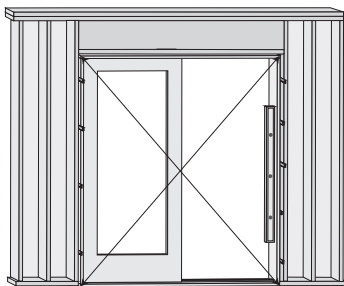
12. Apply a continuous 3/8" bead of quality sealant to the back side of the installation fin, across the head and down the jambs. Bead should be down the middle of the fin.



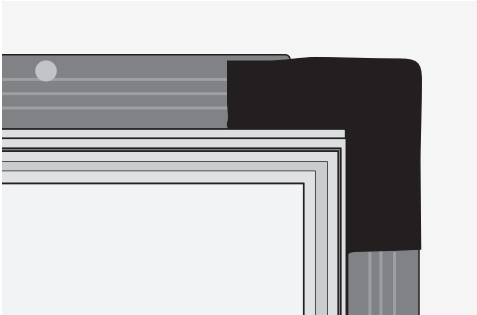
13. Set the door in the center of the opening from the outside. Do not slide the sill into the opening; this will interrupt the sealant line.



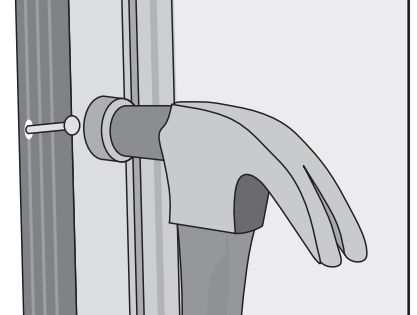
14. Plumb and square the door frame. Temporarily nail through the installation fin near the upper corners only. Make certain that the door frame is square by checking diagonal measurements. If these measurements are not equal within 1/8" remove the nails in the installation fins and square the door frame.



15. Shim the jambs as necessary; make certain the frame is square and the jambs are straight. Shim at both lock strikes. **Do not bow the lock jamb.** Check that the frame head is straight and there is 1/2" clearance between the frame and the header. **Do not shim between the frame and the header!**

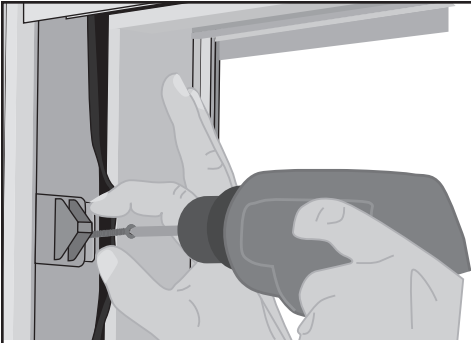


16. Fin corner should seal to frame, nailing fins and opening as shown.



17. Secure the door frame in the wall by nailing through the installation fins with 2" long roofing nails in all the holes.

*Install Door Instructions
Continued on Next Page.*



18. On two panel OX or XO doors, see handle hardware package for (2) #8 x 2-1/2" long, pan head screws. These screws are provided to fasten the frame lock jamb to the jamb studs. One pilot hole is located by each lock strike. Pull the weatherstrip back to see these holes. When driving these screws, make sure that the lock jamb has been shimmed at each strike and that the lock jamb remains straight.

19. **O, OX and XO DP50 Installation Only** Locate witness marks in head extrusion. Drill 3/16" hole through the head of the frame at each witness mark location. Install



#8 x 3" stainless steel flat head screw.

For all units > 6'10" Locate the large head slotted machine screw in the head extrusion near the interlocker. Adjust the screw out to where the vent panel rubs on the screw head during operation. Then turn the screw in 1/2 turn to allow the panel to operate easily.

20. Locate the five open holes in the exterior sill (three pass through the panel retainer).

Aluminum Sill Support: Pilot drill 9/64" holes in the sill support. Apply silicone to the holes and



install #8 x 3/4" thread cutting screws. (Provided.)

Wood Sill Support: Pilot drill 1/8" holes in the sill support. Apply silicone to the holes and install #8 x 2-1/2" flat head wood screws. (Provided.)

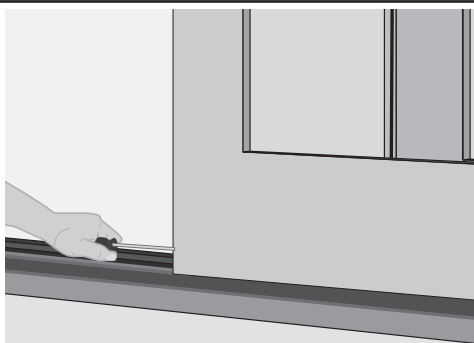
21. Install the panel clip and screw at the bottom of vent panel on the interlocker side.



Install Sliding Vent Panel

CAUTION: Panel will require two persons to handle it safely.

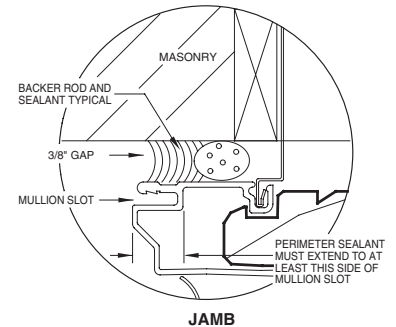
22. Position vent panel in the middle of the door frame.
23. Tilt the top of the panel toward the door frame.
24. Lift the top of the panel into the head track.
25. Swing the bottom of the panel until it is vertical. (Reposition your hands to avoid pinching.)
26. Gently set the panel down onto the sill track.



27. If the sliding panel isn't square with the lock jamb or doesn't operate smoothly, adjust the roller screws located at the bottom two edges of the panel. Remove the plastic cap and insert an 8" long Phillips screwdriver. Turn the screw clockwise to raise the panel.

Install Sliding Door Hardware

28. Install rubber bumper (see separate plastic bag with sliding door hardware package for instructions).
29. Install handle, and keylock cylinder (see sliding door hardware package for instructions).
30. Install interior screen. (See separate instructions with screen package.)



Install Siding and Apply Sealant

31. Install siding and apply sealant between the head and jambs of the door and the exterior siding as shown.
32. Seal the ends of the aluminum sill to the sill support or the support blocking and the siding.

Exterior Finishing: The exterior frame and door panel are protected by aluminum cladding with a Pella EnduraClad™ or EnduraClad™ Plus baked-on factory finish that needs no painting. Clean this surface with mild soap and water. Stubborn stains and deposits may be removed with a rag moistened with a small amount of mineral spirits. Do **NOT** use abrasives. Do **NOT** scrape or use tools that might damage the surface. In salt spray environments, a quarterly fresh-water rinse of exterior cladding and operating hardware is recommended.

Interior Finishing: Visible wood surfaces of Pella Products should be finished as soon as possible after installation. Failure to do so may void your warranty. **It is very important to finish all exposed panel edges to reduce the chance of warpage.** If products cannot be finished immediately, cover with clear plastic film to protect from dirt, damage and moisture during construction. If your products have a removable glass panel, remove it and finish the wood between the panes in addition to the interior wood. This will help prevent condensation problems. **(Make sure that the finish has fully dried before re-installing the glass panel.)** Remove any construction residue before finishing. Sand all wood surfaces lightly with 180 grit or finer sand paper. **Do not use steel wool. Be careful not to scratch the glass.** Remove sanding dust. If a painted finish is desired, apply one (1) coat of a high-quality latex

primer, and two (2) coats of a high-quality interior flat latex paint. Ask a qualified paint professional to help you find a latex paint with good “blocking resistance.” Failure to use the right kind of paint may result in a door that sticks shut, even after the paint has dried. If a stained finish is desired, use a pre-stain conditioner followed by a good quality stain and three (3) coats of exterior grade polyurethane finish. See the Pella Owners Manual for further information.

Do not paint, stain or finish the weather-stripping or vinyl parts! If paint, stain, or finish gets on the mohair weather-stripping, blot it thoroughly with a rag and allow it to dry. Then, flake off any residue with your fingernail. To maintain proper product performance, do not remove weather-stripping, mohair dust pads or gaskets. Air and water leakage will result if these factory-installed items are removed. After finishing, allow doors to dry completely before closing them.

Finishing Imperfections: Pella Corporation will not be responsible for finishing imperfections. The use of unapproved finishes, solvents or cleaning chemicals may cause adverse reactions with door materials. Pella Corporation will not be responsible for problems caused by the use of unapproved materials. If in doubt, contact your local Pella retailer or Pella Corporation.

Glass Replacement and Window Films: This unit is glazed with tempered glass and, if broken, must be replaced with tempered glass in accor-

dance with state and federal (16 CFR-1201) laws. Product modifications that are not approved by Pella Corporation will void all warranties. After-market window films can cause glass breakage due to thermal stresses. Application of such films will void all glass warranties.

Exterior Insulation and Finish System (EIFS): Significant concerns have been raised regarding moisture problems associated with the use of EIFS (also known as “synthetic stucco”) and similar systems with certain types of construction. The determination of the suitability of all building components, as well as the design and installation of flashing and sealing systems for each project, are the responsibility of the architect, contractor, installer and/or the manufacturer of the exterior finish system specified for the project. Pella Corporation is not responsible for problems or damages caused by deficiencies in building design, construction, or maintenance, failure to install our products in accordance with approved methods, or the use of our products in systems which do not allow for proper management of moisture within the wall system.

NOTE: Pella Patio Sliding Doors comply with Industry Standard AAMA/NWWDA 101/I.S. 2-97 for Wood Patio Sliding Doors. Units tested in accordance with listed industry standards by an WDMA approved independent test facility. Unit meets or exceeds CEC Air Infiltration Standards.