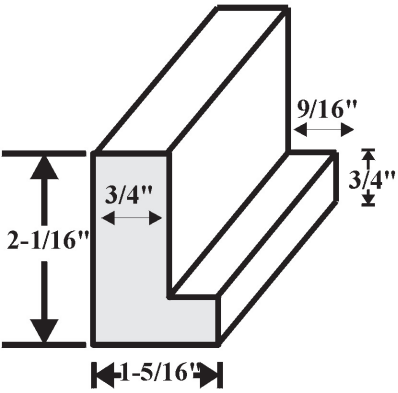
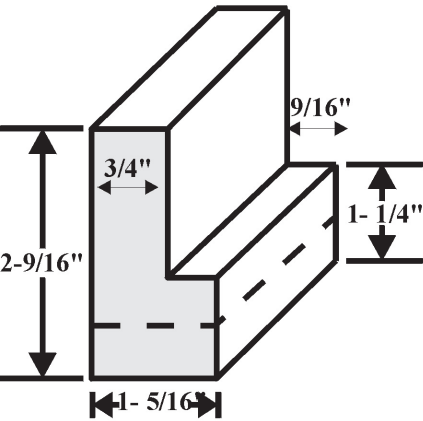


# FRAME SIZES AND APPLICATIONS



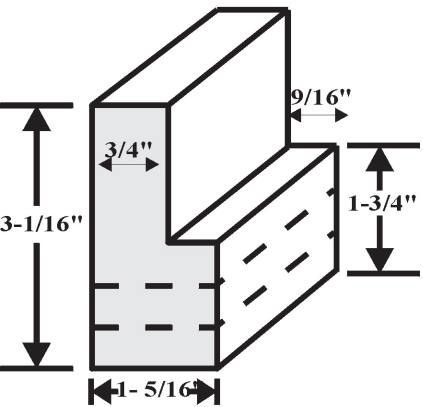
## L-Frame

May be used for inside mounts if windows are square. Outside mounts: on wall face or directly on top of trim, use the L-Frame for Bay Windows.



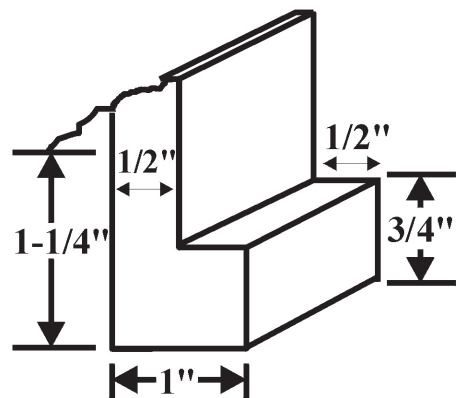
## L-Frame with 1/2" Extension added

Used for installations of the 2-1/2" louver when the frame is installed adjacent to the trim against wall face.



## L-Frame with Two 1/2" Extensions added

Used for installations of the 3-1/2" louver when the frame is installed adjacent to the trim against wall face.



## Z-Frame

Used for inside mount applications only. Good for slightly out of square openings because the outer leg covers up any imperfections. Jamb depth required is a minimal 1-1/4" and it blends in with all types of trim. (Sill Frame available)