



Installation Instructions for Vista Products, Inc WOVEN WOOD SHADES

Thank you for choosing Vista's Tropical Breezes Woven Wood Shades. With proper installation and care, your new Vista Shades will provide many years of beauty and performance. To install your Vista Shades, you will need a few tools:

- Pencil
- Screwdriver
- Power Drill

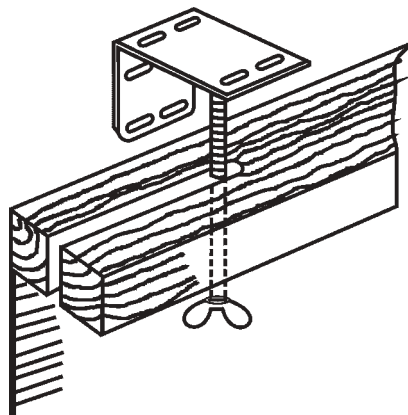
You will also need a supply of FASTENERS to attach the installation brackets. Sheet metal screws work well for both wood and aluminum mounting surfaces. If you are installing into a hollow wall, you will need to purchase the appropriate hollow wall anchors. Seek the advice of an expert at your local hardware store.

INSTALLATION INSTRUCTIONS

NOTE: For a flush inside mount, a 2" window depth is required.

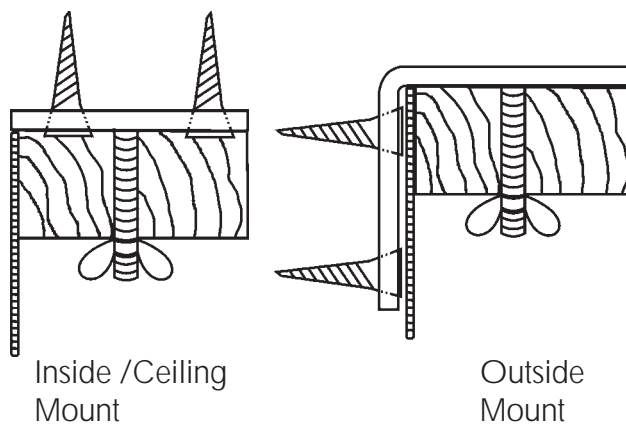
1. Unroll your shade and cord controls.
2. Place the shade in the bracket by putting the bolt through the slot in the top of the shade. (see figure A) Then place the shade at desired position in the window opening.

Figure A



3. Mark the position of brackets at the window with a pencil ensuring all brackets are aligned.
4. Remove the brackets from your shade. Place the brackets at the pencil marks and screw into place (pre-drilling small holes for screws will make installation easier).
5. Attach shade up into brackets so that the bolt is visible under the headrail (see figure B). Place wing nut on the bolt and tighten securely.

Figure B



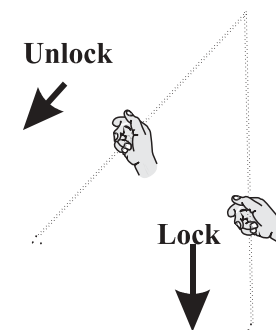
OPERATION

To unlock shade:

Pull cord sharply to the center of the shade and release cord (see diagram).

To lock shade into position:

Pull cord down and toward the right of the shade (see diagram).



To raise or lower shade:

Keep the cord close to the plane of reeds when operating the shade; for best results, do not pull the cord away from the shade more than 15°. To disengage the locking mechanism, move the cord toward the center of the shade approximately 30° from the vertical position. Raise or lower shade while holding the cord at this angle. To engage the locking mechanism, return the cord to the vertical position.

CARE AND MAINTENANCE

Woven Wood Shades are made of the highest quality material for extended wear. If it is not damaged or exposed to a great deal of direct sunlight, it is not unrealistic to expect years of enjoyment with minimal care. Raising and lowering shades periodically helps to reduce most natural dust accumulation. If additional cleaning is desired, shades can be lightly brushed or carefully cleaned with a soft vacuum brush attachment.