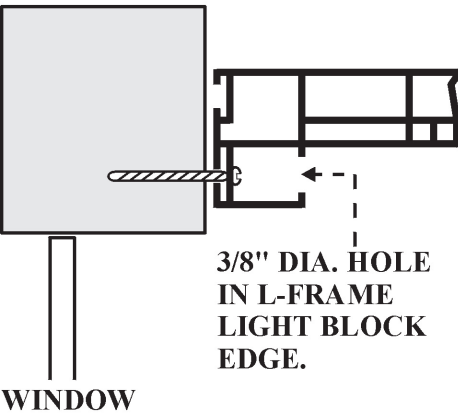
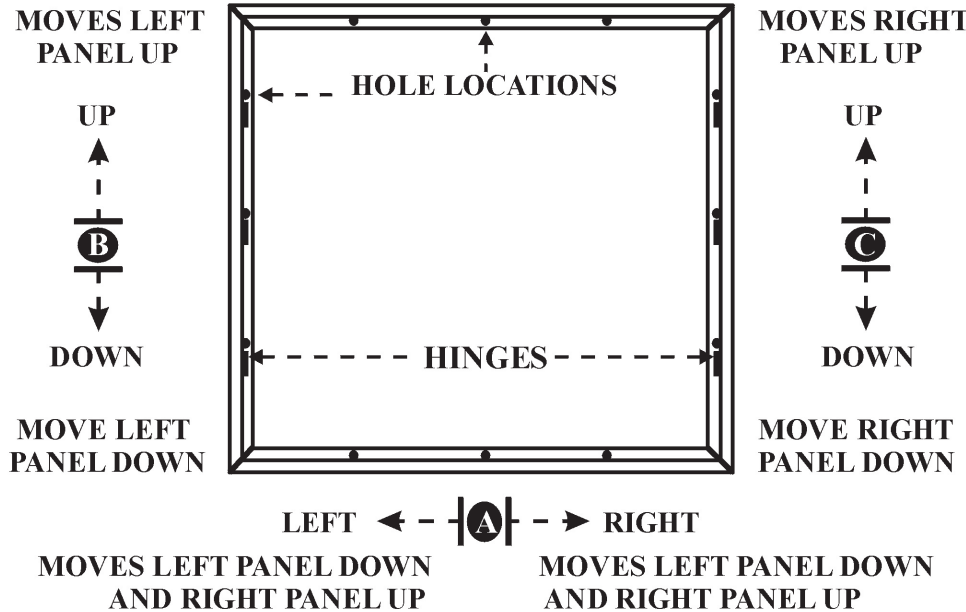


OUTSIDE MOUNT WITH L-FRAME

FASTENING



SQUARENESS ADJUSTMENTS



1. Assemble frames.
2. Drill 3/8" dia. holes (through outside wall only) in light block edge directly above or below hinge location.
3. Center the frame on the window opening and fasten top of frame using the middle drilled hole.
4. Level left side, and partially fasten top corner through the corner hole, repeat on right side.
5. Hang panels with hinge pins, and check for squareness.
6. To square panels within frame perform one or a combination of the following: (See squareness diagram, top)
 - A) Move bottom frame left or right. (See adjustment diagram)
 - B) Move left frame up or down. (See adjustment diagram)
 - C) Move right frame up or down. (See adjustment diagram)
7. When panels are square within the frame, hold bottom frame in position and fasten bottom screws. (Check and adjust for a 1/8" gap between bottom frame and bottom of panels.)
8. Fasten remaining screws, and cap holes with plugs.
9. Install magnetic catches & balance of hinge pins.