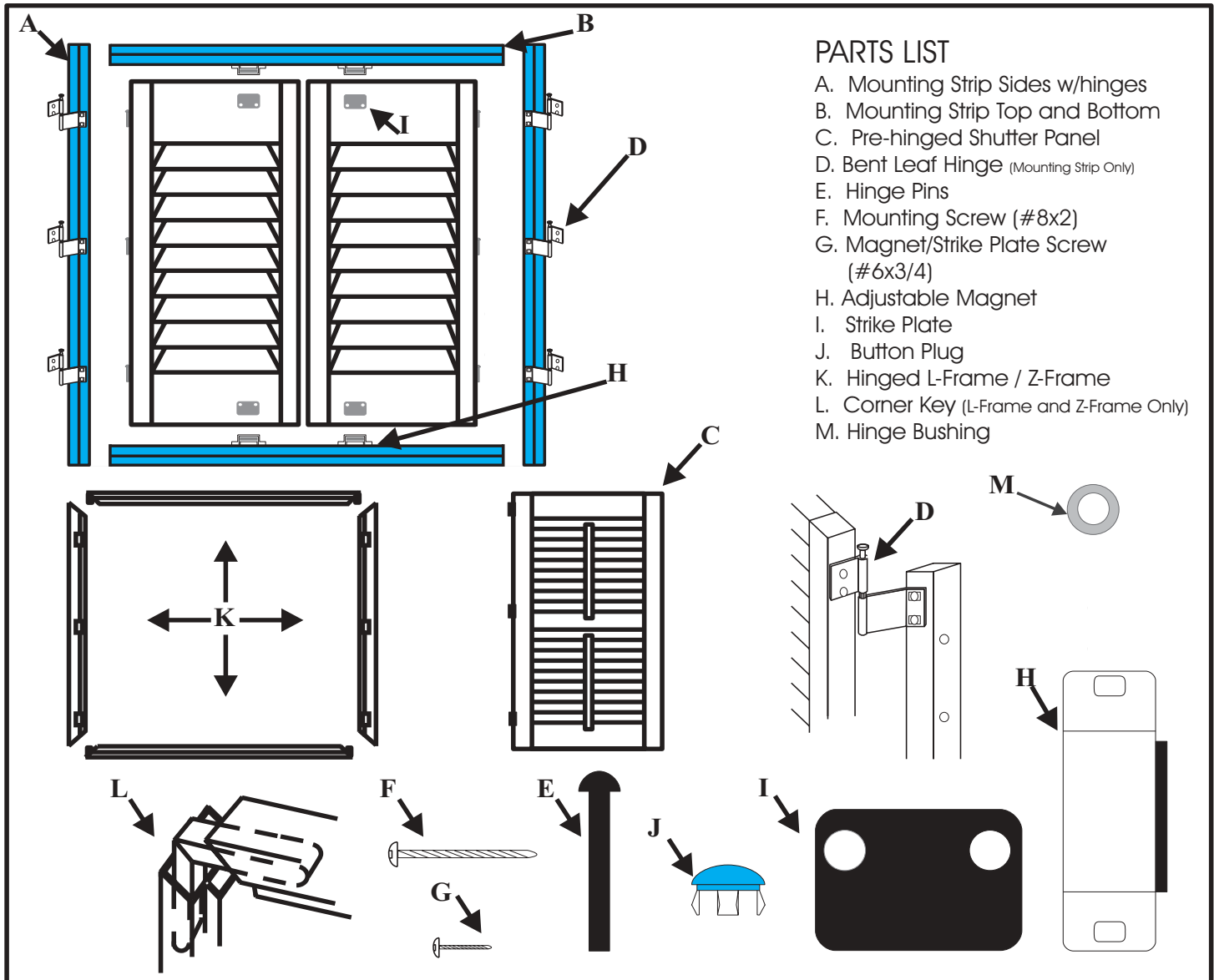


Sonesta Shutters™

INSTALLATION INSTRUCTIONS

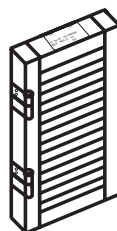
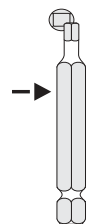
CONGRATULATIONS! You have purchased the best vinyl shutter product made in America by Vista Products, Inc. Please read the instructions completely before beginning. Proper installation of this product will provide years of reliable operation and enjoyment.



PARTS LIST

- A. Mounting Strip Sides w/hinges
- B. Mounting Strip Top and Bottom
- C. Pre-hinged Shutter Panel
- D. Bent Leaf Hinge (Mounting Strip Only)
- E. Hinge Pins
- F. Mounting Screw (#8x2)
- G. Magnet/Strike Plate Screw (#6x3/4)
- H. Adjustable Magnet
- I. Strike Plate
- J. Button Plug
- K. Hinged L-Frame / Z-Frame
- L. Corner Key (L-Frame and Z-Frame Only)
- M. Hinge Bushing

Tools required for installation:
 Variable Speed Drill
 #1 and #2 Robertson Bit (Square Head)
 Hex Head Extension for Bits
 Pencil
 Utility Knife



Panel and frame labels have been provided to help ease installation. Do not remove label until job is completed.

To Clean:
 Use any household glass cleaner (Windex or 409). Do not use any solvents or harsh chemicals.

CAUTION: When opening shutter container, use caution not to scratch panels or frame with sharp objects.

PROFESSIONAL INSTALLATION IS RECOMMENDED IN COMPLIANCE WITH THE FOLLOWING INSTALLATION INSTRUCTIONS.

PANEL LABELS:

Every panel has a label on the top.

A) Ln# - Line numbers tell you what panels go with what frames. Match the panel Ln# with the frame Ln#.

B) A letter (001B) will follow the line number on the panel label only. This tells you what panel this is and where the panel belongs. All panels are labeled A, B, C, etc. from left to right. This particular panel, (B), is second from the left.

Panel Label

1 PANEL	213839			
Ln#	Type	Color	Louver	Width/Height
001B	P2	WHITE	2-1/2	9-3/4 25-5/8

A → ← B

FRAME LABEL:

Every frame has a label on the side.

A) The frame label will tell you if it is the top, bottom, left or right sides.

B) The line number is shown (001), with panel labels, to help match the panels and frames together.

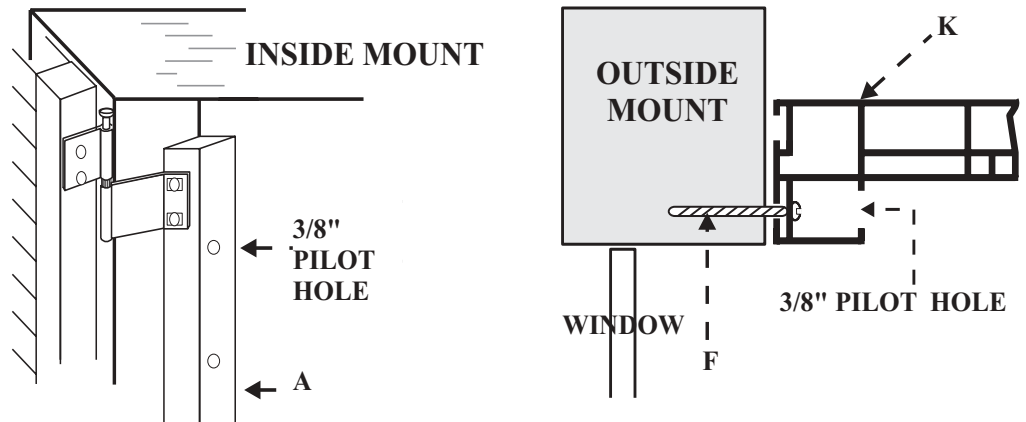
Frame Label

1 M4-FRAME RIGHT SIDE	301127				
Ln#	Type	Color	Louver	Size	Cut
001	P2	WHITE	2-1/2	15-7/8	0 0

A ↓ ← B

MOUNTING

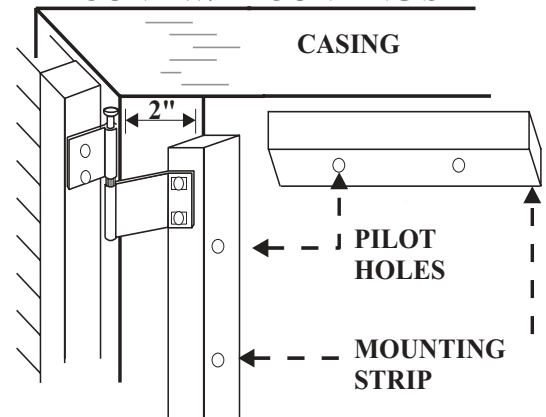
3/8" pilot holes have been pre-drilled at exact locations. Use the #8x2" mounting screw (F) in these holes. A #2 Robertson, or square head bit, is necessary for mounting screws.



1A. INSIDE MOUNT MOUNTING STRIP

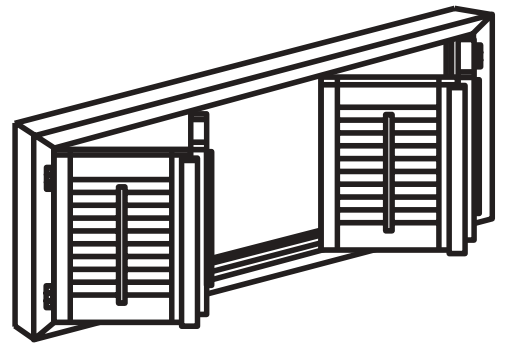
Make sure you have double checked your frame labels and place the frames into the opening correctly. Prepare to mount the two sides first (left and right). Place a piece of hinged frame into the opening. The back edge of the frame should be no more than 2" back into the window. The frame should be centered. You should have the same spacing on the top as the bottom, between the frame and the window opening. With the frame in place, secure mounting screws into pilot holes. Make sure when securing the opposite side frame, that it is mounted exactly the same height and depth as the first. Mount top and bottom frames between the two sides. **(Bottom frame placement is optional on a window sill.)**

INSIDE MOUNT W/ MOUNTING STRIP



1B. PANEL PLACEMENT

With your frame secured, place panels onto frame hinges. Check panel labels and place the panel marked A first, then B, and so on from the left. Slip a hinge pin into the panel hinge and secure it to the frame.

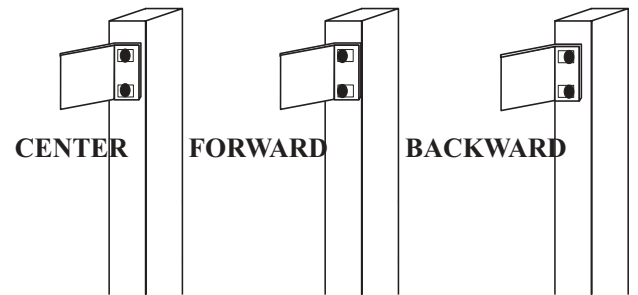


1C. HINGE ADJUSTMENT

If your panels are not lining up, the hinges must be adjusted. Remove the panels. Each frame hinge can be adjusted by loosening (do not remove) the hinge screws. Use a #1 Robertson bit to loosen hinge screws. Moving the hinges forward or backward on the frame will raise or lower the panels. After adjustment to hinges, place panels back on to check adjustment. Repeat process until panels are level.

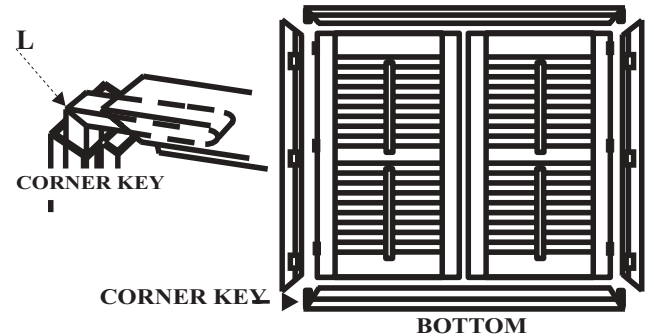
* If panels are squared but not level a hinge bushing (M) can be placed between hinges on the lower panel raising it to the desired height.

INSIDE MOUNT HINGE ADJUSTMENT



2A. OUTSIDE MOUNT L-FRAME / INSIDE MOUNT Z-FRAME

This frame must be assembled before mounting. Check your frame labels. Lay the frame out on the floor according to the frame labels. Insert corner key (L) into frame corners, and join matched corners. (Light hammering with rubber mallet may be necessary).

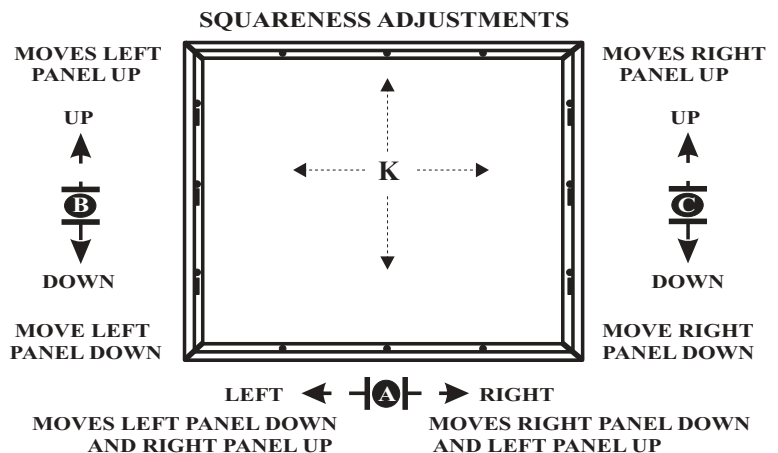


2B. MOUNT AROUND WINDOW (L-Frame)

Place assembled frame around window opening. Use #2 Robertson bit to secure mounting screws in pilot holes. Secure frame to wall surface.

Place panels on frame hinges. (Step 1B)

Any adjustments needed must be done by removing mounting screws and shifting frame left, right, up or down.

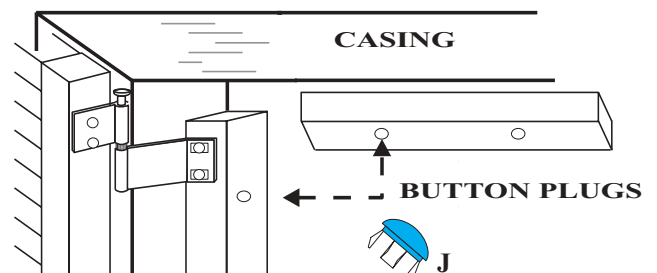


2C. MOUNT INSIDE WINDOW (Z-Frame)

Place assembled frame inside window opening. Use #2 Robertson bit to secure mounting screws in pilot holes.

Place panels on frame hinges. (Step 1B)

Any adjustments needed must be done by removing mounting screws and shifting frame left, right, up or down.



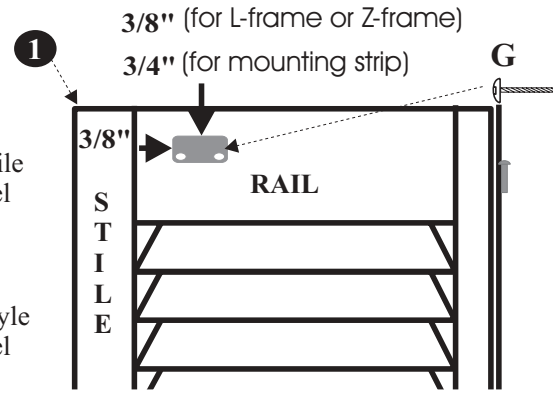
3. BUTTON PLUGS

Place a button plug into pre-drilled hole. This plug snaps in and over the hole.

4. MAGNETIC CATCH PLACEMENT

Magnetic catches mount on frame, strike plates are mounted on bottom and top rails.

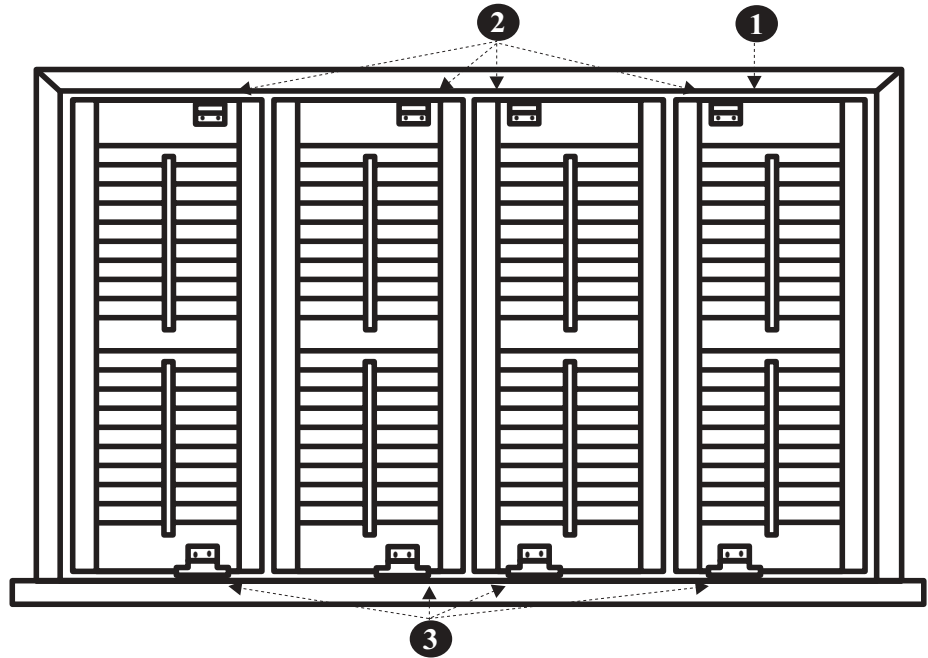
- With L-frame or Z-frame applications mount strike plate $3/8''$ from vertical stile and $3/8''$ from end of panel on bottom and top rails. For mounting strip applications mount strike plate $3/8''$ from vertical stile and $3/4''$ from end of panel on bottom and top rails.



PROCEDURE

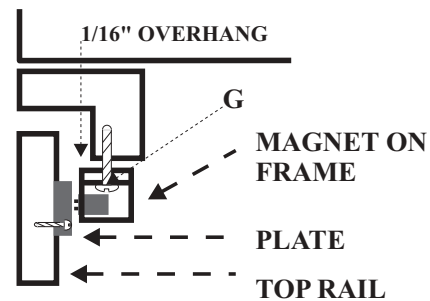
(Diagram shows shutter from rear)

- Install plate first as shown on drawings with the holes away from panel edge.
- With panels in the closed position mark sill or frame front, top and bottom where the stile meets the cross rail.
- Install magnet from the mark toward the inside of panel.

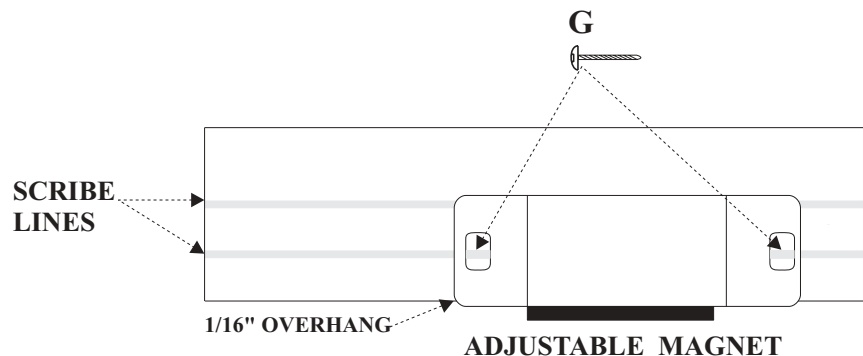


- When mounting magnets allow magnets to overhang frame edge $1/16''$ to compensate for stile/rail recess
- Install two magnets and two strike plates per panel.
- When there is no frame, magnets mount on window sill or jamb.

SIDE VIEW OF MAGNET ON L-FRAME OR Z-FRAME



TOP VIEW OF MAGNET ON MOUNTING STRIP



- Use scribe lines as a guide for mounting screw location (G). Line up the scribe line in the center of the adjustable magnet holes.